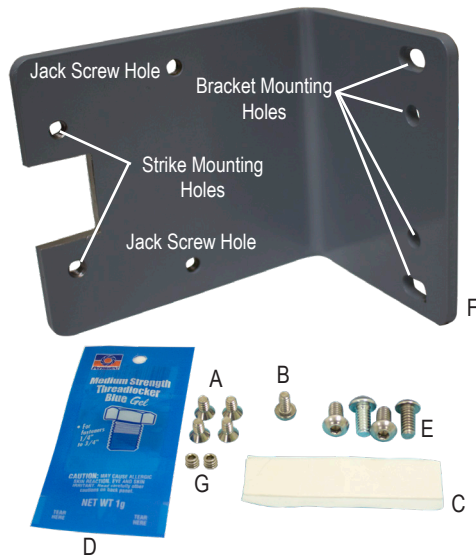


Lockmasters' L Bracket for Surface Mounted

Deadbolt Installation Instructions

Part No. STCLSMBKIT



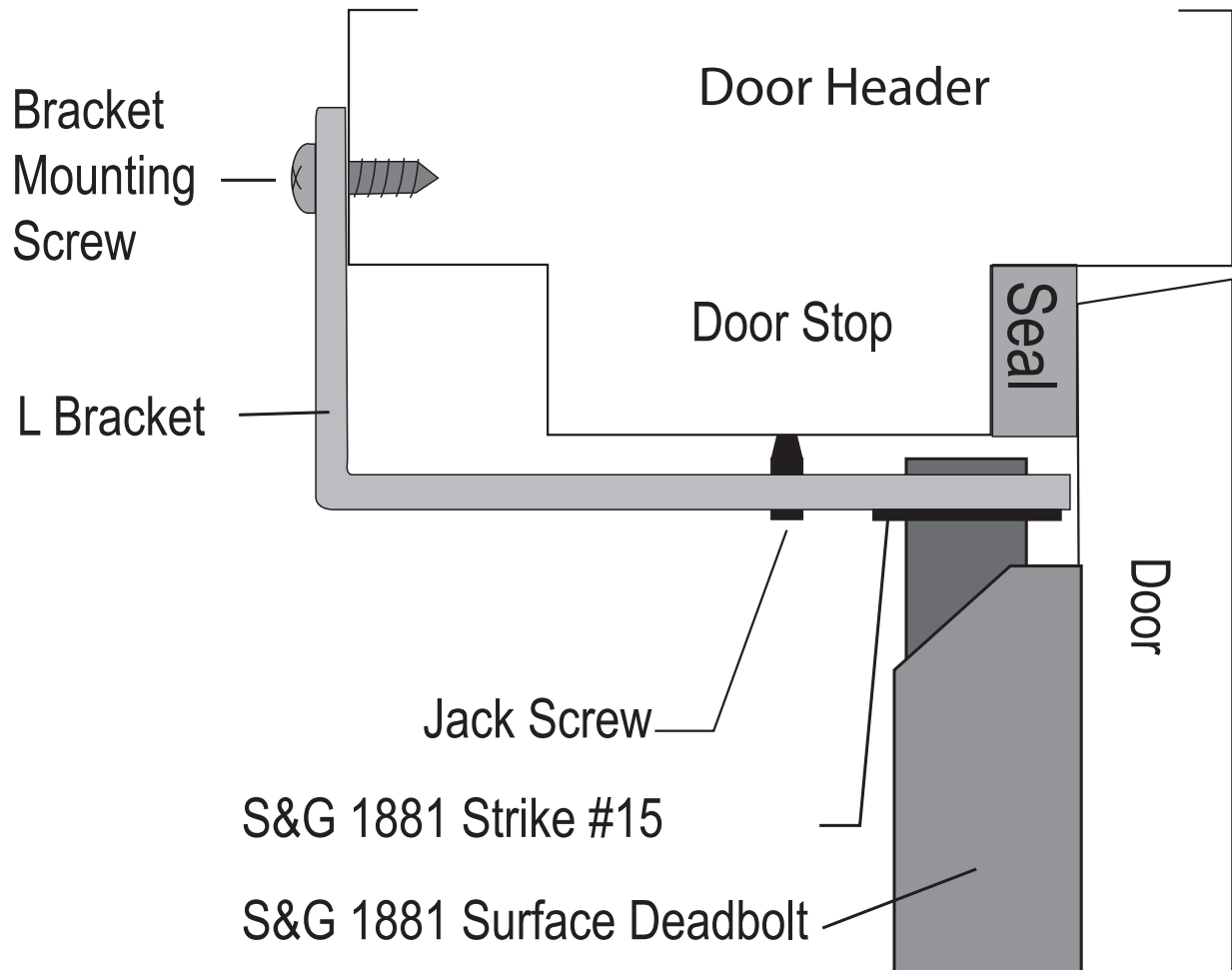
Component List

- A - (4) 10-24 x 3/8" Flat Head Phillips Strike Screws
- B - (1) 10-24 x 3/8" Pan Head Screw
- C - (1) Double Stick Tape (not used)
- D - (1) Pack of Liquid Thread Locker
- E - (4) 1/4 - 20 Button Head Socket Bracket Mounting Screws
- F - (1) Bracket
- G - (2) 1/4-20 x 1/2 Jack Screws

Please Note: The bracket needs to be installed as close to the astragal as possible without impeding the function of the deadbolt.

1. Install the #15 strike onto the bracket with screws provided with the S&G 1881 deadbolt over the notched area on the bracket.
2. Position bracket on the door header as close to the strike side of the door frame, without the deadbolt interfering with the astragal, and high enough so the deadbolt fully engages the strike and bracket.
3. Secure the bracket to the door header using the (2) slotted holes with (2) 1/4-20 Button Head Socket Bracket Mounting Screws (E).
4. Check the strike for proper alignment, ensuring equal clearance. If alignment is off adjust the bracket by loosen the (2) screws and re-position.
5. Once the bracket is in position and the double doors are flush, permanently attach with the remaining (2) 1/4-20 Button Head Socket Bracket Mounting Screws.
6. Apply Liquid Thread Locker to the (2) 1/4-20 x 1/2 Jack Screws and thread into the appropriate holes on the L Bracket until they engage the seal cover for stability.

STCLSMB BRACKET APPLICATION



LOCKMASTERS
INCORPORATED

2101 John C. Watts Drive
Nicholasville, Kentucky 40356
800.654.0637

www.lockmasters.com